



[Ver.2024.01.01]

# 조명 기술 정보 안내

LIGHTING TECHNICAL INFORMATION

## 대학로예술극장

DAEHAKRO Arts Theater

소극장

Small Hall



# CONTENTS

## I. 전원 및 제어 시스템 Power & Control System

1. 전원 시스템 Power System
2. 제어 시스템 Control System

## II. 조명기자재 현황 Light Equipment

1. 콘솔 Console
2. 무빙라이트 Moving Light
3. 일반조명기 General Light
4. 포그머신 Fog Machine
5. 악세서리 Accessory
6. 공용장비 Common Equipment

## III. 조명 설치 장소 Lighting Hanging Position

무대 Stage

## IV. 기타사항 Etc.

1. 컬러필터 리스트 Color Filter List
2. 기타 참고 사진 Other Reference Photo

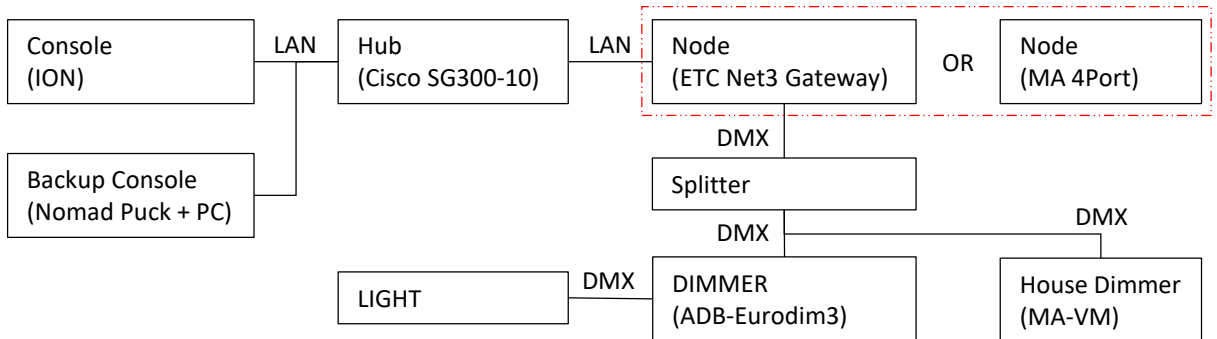
# I . 전원 및 제어 시스템 Power & Control System

## 1. 전원 시스템 Power System

- Dimmer System : **ADB EURODIM3 (180ea)** 220V/60Hz 5Kw  
**MA-VM(5ea)** Auditorium Light
- Remote Direct : **Switch (17ea)** 220V/60Hz 5Kw

## 2. 제어 시스템 Control System

- Signal System : DMX Port – 6ea (XLR5pin)  
 \*A Port : General Light (Ch 1~180)  
 House Light (Ch 201~205)  
 Work Light (Ch 206~212)





## II. 조명기자재 현황 Light Equipment

### 1. 콘솔 Console

Item	Model	Spec	Quantity	Origin	Remark
Main Console	Ion		1	ETC	Ver. 2.9.1
Backup Console	Nomad puck+PC		1		

### 2. 무빙라이트 Moving Light

Item	Model	Spec	Quantity	Origin	Remark
LED	Nick 1201	450W	15	DTS	Basic 20ch
	Source Four LED Series 2	171W	3	ETC	Only Body

### 3. 일반조명기 General Light

Item	Model	Spec	Quantity	Origin	Remark
Fresnel Spot Light	FQH-1000WS1	1000W	20	MARUMO	
	MSM805S1	1500W	30		
Par Light	Par64	1000W	56	KUPO	CP61/CP62
	Par46	28V/250W	7 Set		1Set-8ea
Source Four	Standard Body	750W	70	ETC	
		19°	5		
		26°	10		
		36°	27		
		50°	42		
		70°	3		
	Zoom 25°~50°	750W	20		
Flood Light	QCU-2	500W	10	MARUMO	
Foot Spot Light	FP-500W	500w	4		



#### 4. 포그머신 Fog Machine

Item	Model	Spec	Quantity	Origin	Remark
Fog Machine	LFA-T2	1500w	1	KAI SHINE Lighting	Haze
	Antari Z 1000 2	1050w	1	ANTARI	Heavy
Fan			1		

#### 5. 악세서리 Accessory

Item	Model	Spec	Quantity	Origin	Remark
Iris	Source Four	400RS	10	ETC	
Stand	Low	65mm(H)	3	Korea	SHB-10
		150mm(H)	5		
	Middle	985~1,685mm(H)	10		
Barn Door	FQM 150S2		30	MARUMO	Olny Fresnel 1Kw, 1.5Kw

#### 6. 공용장비 Common Equipment

Item	Model	Spec	Quantity	Origin	Remark
T-Pipe		400mm(W) x 1,000mm(H)	7		1,000mm Extension pipe 35EA

**\* 공연 전 장비의 사용 및 수량에 대해 반드시 극장 담당자와 협의 바랍니다 \***

**Please speak with the management  
About the usage of equipment before the  
performance.**

Technical Support Division Lighting Director

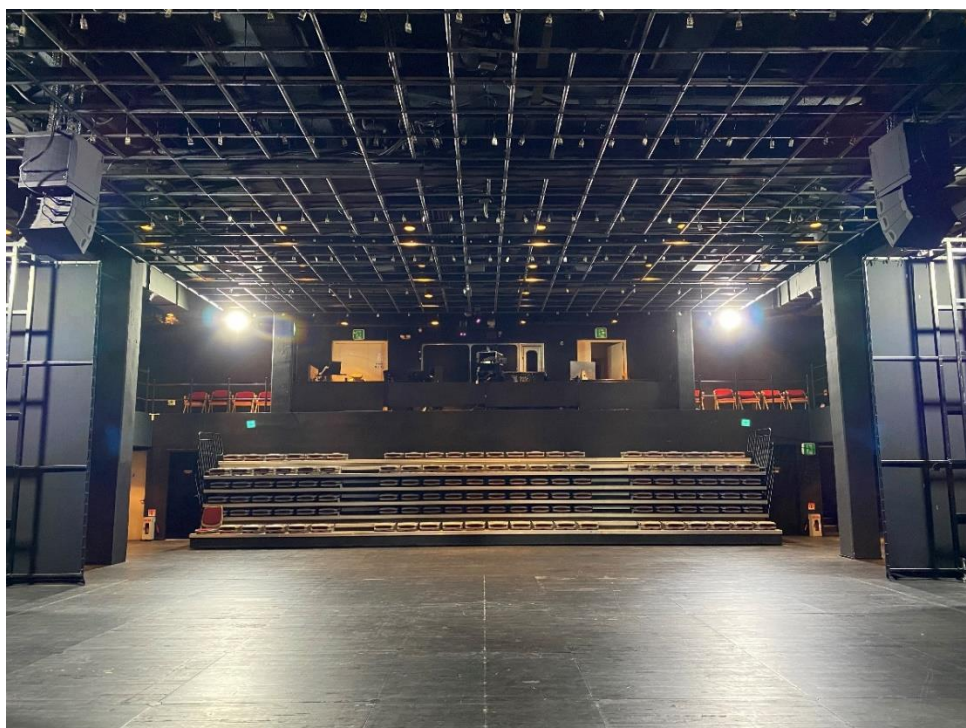
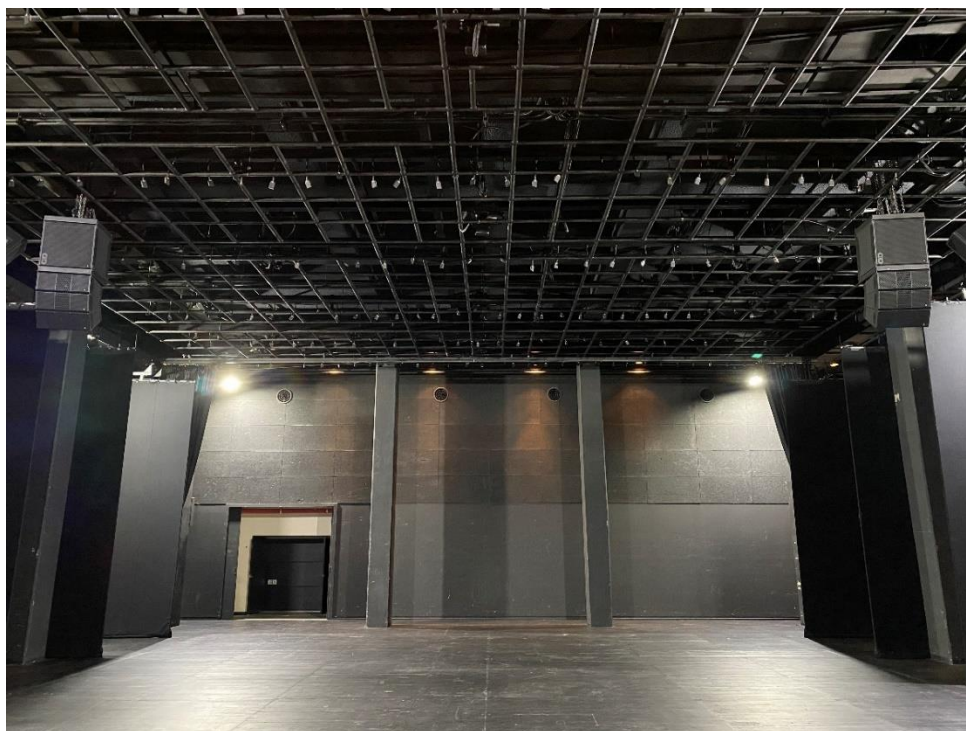
Phone NO : 82)-02-3668-0041

Chief Lighting Director

E-mail Address : stage8227@arko.or.kr

### Ⅲ. 조명 설치 장소 Lighting Hanging Position

#### 무대 Stage



Grid Size(mm) 600 x 600

Pipe  $\phi$  480mm



## IV. 기타사항 Etc.

### 1. 컬러 필터 리스트 Color Filter List

#### LEE FILTER

<a href="#">025</a>	SUNSET RED	<a href="#">124</a>	DARK GREEN	<a href="#">180</a>	DARK LAVENDER
<a href="#">052</a>	LIGHT LAVENDER	<a href="#">132</a>	MIDIUM BLUE	<a href="#">181</a>	CONGO BLUE
<a href="#">101</a>	YELLOW	<a href="#">135</a>	DEEP GOLDEN AMBER	<a href="#">197</a>	ALICE BLUE
<a href="#">105</a>	ORANGE	<a href="#">136</a>	PALE LAVENDER	<a href="#">200</a>	DOUBLE C.T. BLUE
<a href="#">106</a>	PRIMARY RED	<a href="#">137</a>	SPECIAL LAVENDER	<a href="#">201</a>	FULL C.T. BLUE
<a href="#">111</a>	DARK PINK	<a href="#">138</a>	PALE GREEN	<a href="#">202</a>	HALF C.T. BLUE
<a href="#">115</a>	PEACOCK BLUE	<a href="#">147</a>	APRICOT	<a href="#">203</a>	QUARTER C.T. BLUE
<a href="#">117</a>	STEEL BLUE	<a href="#">158</a>	DARK ORANGE	<a href="#">204</a>	FULL C.T. ORANGE
<a href="#">119</a>	DARK BLUE	<a href="#">161</a>	STATE BLUE	<a href="#">205</a>	HALF C.T. ORANGE
<a href="#">121</a>	LEE GREEN	<a href="#">162</a>	BASTARD AMBER	<a href="#">228</a>	BRUSHED SILK
<a href="#">122</a>	FERN GREEN	<a href="#">165</a>	DAYLIGHT BLUE	<a href="#">253</a>	HAMPSHIRE FROST

#### ROSCO FILTER

<a href="#">083</a>	MEDIUM BLUE	<a href="#">085</a>	DEEP BLUE		
<a href="#">114</a>	HAMBURG FROST	<a href="#">119</a>	LIGHT HAMBURG FROST	<a href="#">132</a>	QUARTER HAMBURG FROST

## 2. 기타 참고 사진 Other Reference Photo

### Stand



**Total 8EA**  
**Size(mm)** 65(H), 150(H)



**Total 10EA**  
**Size(mm)** 935~1,635(H)

### Plug Type



**2P&G(USA)**

### Ladder



**Genie AWP-20S**  
**1 EA**  
**Size(mm)** 6,120(H)  
**Max Weight** 130kg



**HIGHLOAD MS-4.7**  
**1 EA**  
**Size(mm)** 6,400(H)  
**Max Weight** 130kg